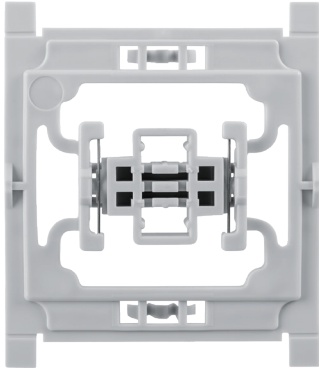
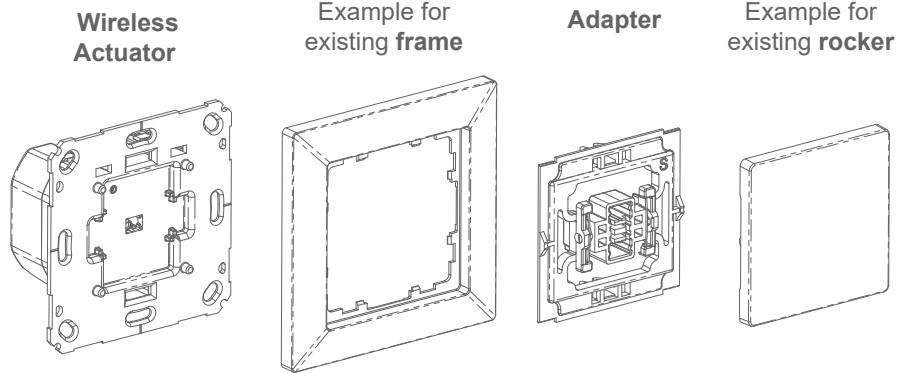


Adapter Siemens

Product ref.: 155263A2
Product features



- The adapter can be used to integrate wireless Homematic and Homematic IP actuators for brand switches into DELTA miro, DELTA line and DELTA style switch series by Siemens at little outlay and without the need for major installation work.
- Also available in a set of 20 (part ref. 155263A1)
- Installation overview:



Technical specifications

Dimensions (W x H x D) 55 x 64 x 20 mm

Logistical data

Product reference	155263A2
EAN code	4047976552641
Short description	EQ3-ADA-S
Packing unit	500
Packing dimensions (plastic bag)	120 x 180 mm

Package contents

Adapter Siemens (1x)
Operating manual