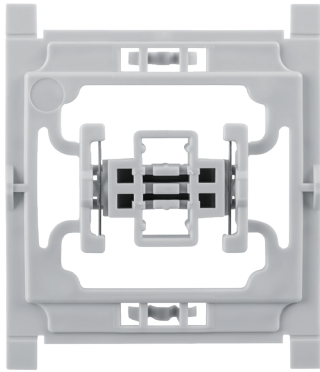
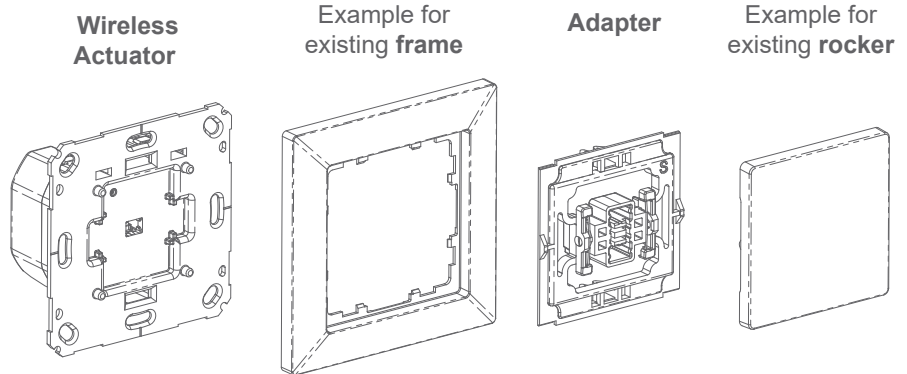


Adapter set Siemens

Product ref.: 155263A1
Product features



- The adapter can be used to integrate wireless Homematic and Homematic IP actuators for brand switches into DELTA miro, DELTA line and DELTA style switch series by Siemens at little outlay and without the need for major installation work.
- Set consisting of 20 adapters – also available separately (part ref. 155263A2)
- Installation overview:



Technical specifications

Dimensions (W x H x D) 55 x 64 x 20 mm

Logistical data

Product reference	155263A1
EAN code	4047976552634
Short description	EQ3-ADA-S
Packing unit	32
Packing dimensions (plastic bag)	182 x 137 x 70 mm

Package contents

Adapter set Siemens (20x)
Operating manual