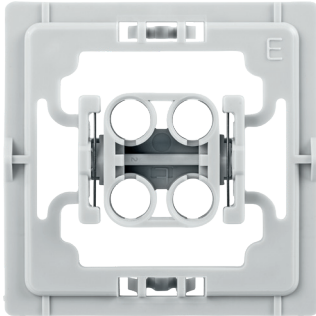
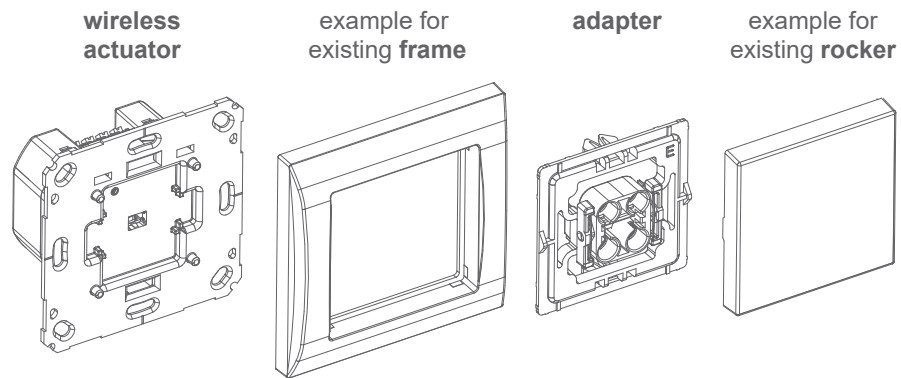


Adapter set ELSO Joy

Product ref.: 152993A1
Product features



- The adapter can be used to integrate wireless Homematic and Homematic IP actuators for brand switches into the ELSO Joy switch series at little outlay and without the need for major installation work.
- Set consisting of 20 adapters – also available separately (part ref. 152993A2)
- Installation overview:



Technical specifications

Dimensions (W x H x D) 55 x 55 x 21 mm

Logistical data

Product reference	152993A1
EAN code	4047976529933
Short description	EQ3-ADA-EJ
Packing unit	32
Packing dimensions (plastic bag)	182 x 137 x 70 mm
Total weight	277.8 g

Package contents

Adapter set ELSO Joy (20x)
 Operating manual in DE